

## CZ1865 / CZ1866

A



### Descriptions

The enclosure of full plastic explosion-proof LED (emergency) linear light fittings are manufactured by glass fiber reinforced polyester and transparent parts are manufactured by anti-ultraviolet polycarbonate. It is not only suitable for explosive environment, but also suitable for highly corrosive petrochemical, chemical places and marine environment as lighting purpose.

The full plastic explosion-proof LED (emergency) linear light fittings using modular design, with mechanical interlocking device, which can cut off power when cover-opening.

The inner is equipped with LED light source module, power supply and other Ex components (U certificate), which is convenient for installation, maintenance and replacement.

The full plastic explosion-proof emergency LED linear light fittings is equipped with emergency battery module for emergency illumination function. The emergency battery module has a built-in mechanical interlock switch cut off power when cover-opening.

The full plastic explosion-proof LED linear light fittings can change the illumination of the lamp through the dimming control system, so as to achieve green energy-saving lighting.

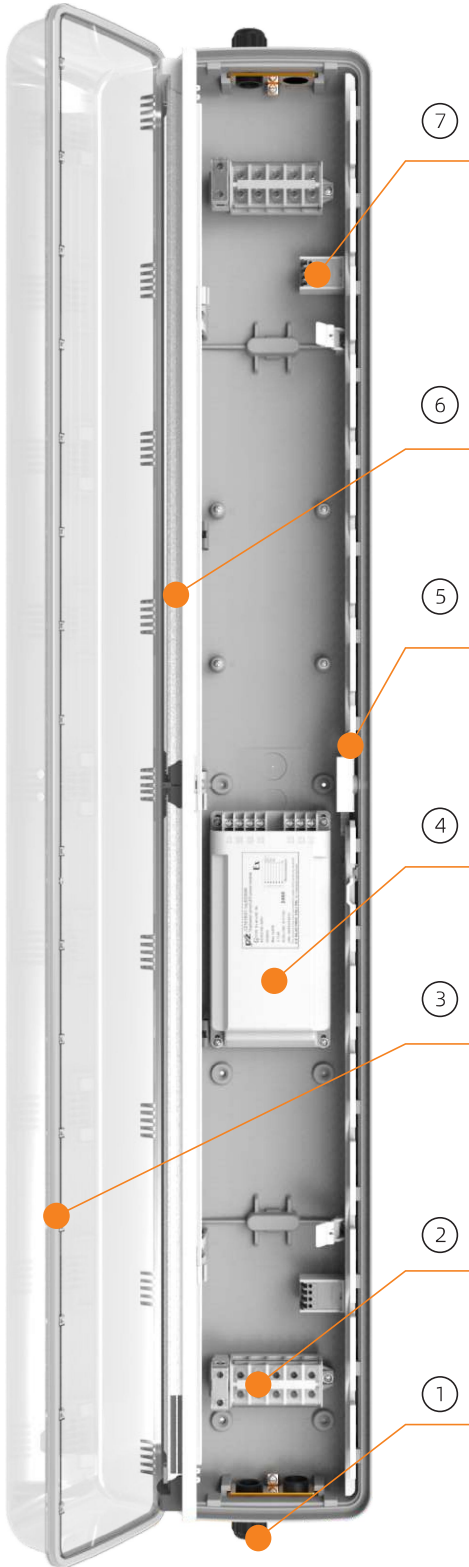
The installation type of full plastic explosion-proof (emergency) LED linear light fittings is divided into standard type and polemounting type.

- Full plastic explosion-proof (emergency) LED linear light fittings mounting ways: ceiling type, chain type, rod pendant type, wall type and clamp type.
- Full plastic explosion-proof (emergency) LED linear light fittings (pole mounting) mounting ways: Platform type, Wall type.
- With interlock device, it can't power on when transparent part and enclosure are not closed well.
- Emergency lighting have indicators of fault, charging and discharging.
- LED light source module has two optical design, and the luminous angle is 55° and 110°.
- The LED power supply come with the protective functions of over temperature, over voltage and short circuit.
- The structural design is never distortion and its protection degree is up to IP66.
- IECEx and ATEX certified.
- Customized high light efficiency light source whose light efficiency  $\geq 135\text{lm/w}$  (Meet China's first-class energy efficiency standards)
- LED linear light fittings are equipped with 0-10V dimming device.

Zone 1 and zone 2  
Zone 21 and zone 22



Diagram



Full plastic explosion-proof LED linear light fittings



Cable gland and stopping plug  
(optional metal cable gland)



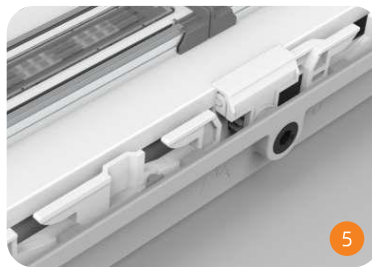
● Terminals  
● Explosion-proof fuse module



Silicon rubber sealing ring, degree is IP66



Explosion-proof power supply module with lighting dimming (0-10V)



Lock device, internal lock is multi-point hook structure



Explosion-proof LED light source module

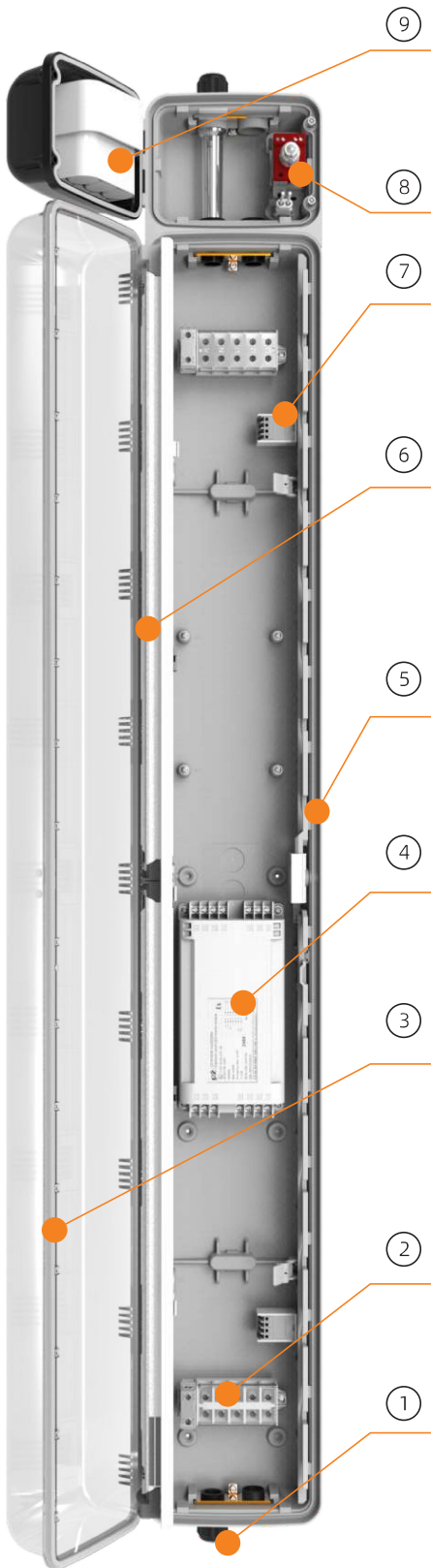


Explosion-proof limit switch module

A

Diagram:

A



Full plastic explosion-proof emergency LED linear light fittings



Cable gland and stopping plug  
(optional metal cable gland)



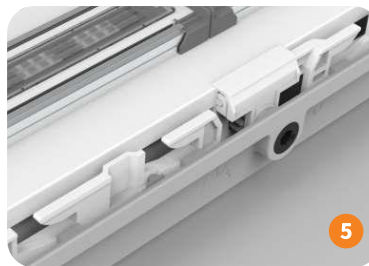
● Terminals  
● Explosion-proof fuse module



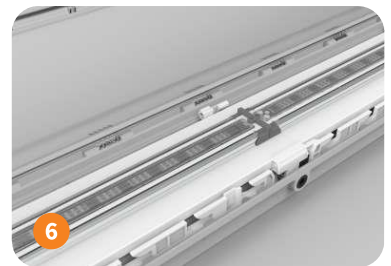
Silicon rubber sealing ring, degree is IP66



Explosion-proof emergency lighting power module



Lock device, internal lock is multi-point hook structure



Explosion-proof LED light source module



Explosion-proof limit switch module



Emergency battery box with explosion-proof signal lamp with push button module inside, which is indication of cut off power when opening cover, charging and discharging status

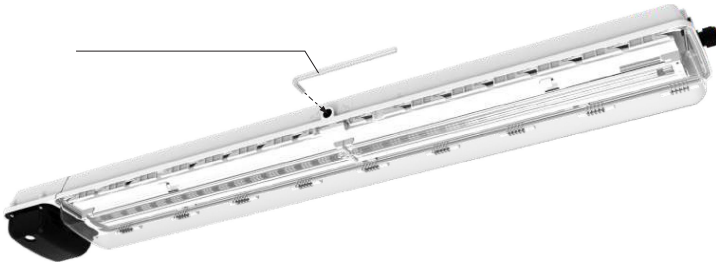


Emergency battery box with battery module inside

Cable threading pipe is pre-installed in emergency box, so no need to open the emergency box for wiring. Cable can quickly passes through the battery box to the wiring terminals.

**Diagram**

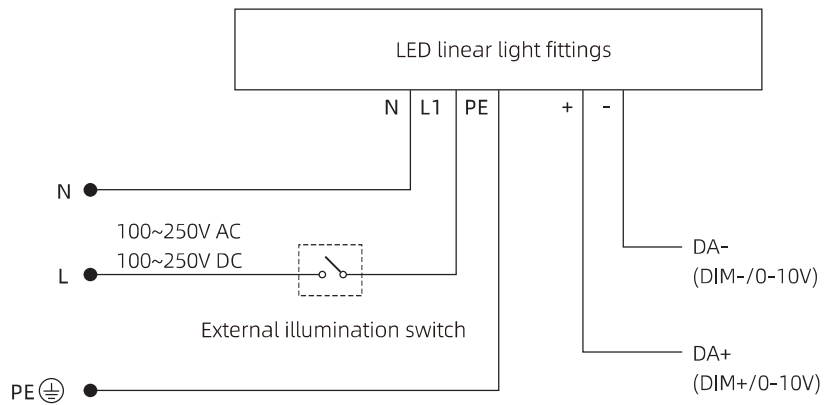
8mm Hexagon spanner



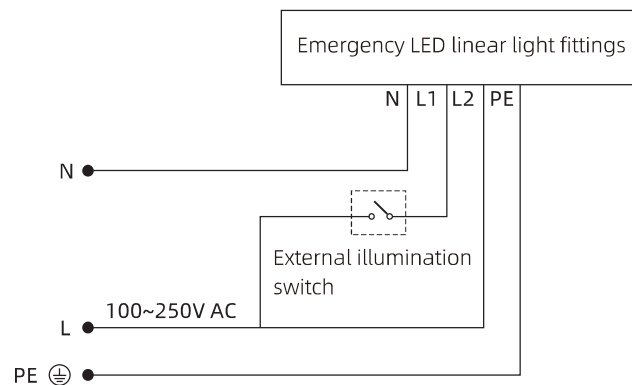
The light fitting is equipped with mechanical interlocking pressing device and automatic power off function. Either the normal lighting or emergency power supply are automatically cut off when it is opened with a hexagon spanner. The power will be automatically transmitted when the light fitting is locked and sealed well.

**A**

**Wiring diagram for light fittings**



**Wiring diagram for emergency light fittings**





**Main technical data**

Certification	Ex mark	Meet the standard
China	Ex db eb mb q IIC T5/T4 Gb Ex tb IIIC T80°C Db	GB/T3836
IECEX	Ex db eb mb q IIC T5/T4 Gb Ex tb IIIC T80°C Db	IEC60079
ATEX	Ⓔ II 2 G D Ex db eb mb q IIC T5/T4 Gb Ex tb IIIC T80°C Db	EN60079

**A**

Intended use: Can be used in zone 1 and zone 2  
 Can be used in zone 21 and zone 22  
 Ambient temperature use: -40°C ≤ Ta ≤ +40°C (T5)  
 -40°C ≤ Ta ≤ +55°C (T4)  
 Degree of protection: IP66 (IP64 with breather CZ0527)  
 Rated voltage: AC100 ~ 250V 50/60Hz, DC 100~250V  
 Light source: LED  
 Colour temperature: Standard 5000K, (Optional 3000K, 4000K, 6500K)  
 High power factor / low harmonic: > 0.9, < 15%  
 Dimming range: 10% - 100%, Lighting can be turn off  
 Isolated 0-10V dimming  
 Configurable output value (Iout / Vout)  
 Applicable installation height: Wide beam: ≤ 3m, Narrow beam: 3 ~ 6m  
 Terminals: L1, L2, L, N, PE, each terminal 2×1.5-10mm<sup>2</sup>  
 Electrical configuration: Standard explosion-proof limit switch  
 (Optional explosion-proof fuse)  
 Cable entry: Standard M25 (Optional M20)  
 Standard type:  
 Moulded plastic 1-M25×1.5 cable gland, outside diameter of cable: Φ9-17mm  
 Moulded plastic 2-M25×1.5 stopping plugs  
 Pole mounting:  
 Moulded plastic 1-M25×1.5 cable gland, outside diameter of cable: Φ9-17mm

**Order specifications**

Illustration	Light distribution	Power of light source	Luminous flux	Weight (kg)	Order No.
	Wide beam	1×LED 26W	3172 lm	4.8	<b>CZ1865/211S-LED0026WWB5B-17-K□-B2+□</b>
		2×LED 26W	6412 lm	7.4	<b>CZ1866/211S-LED2026WWB5B-17-K□-B2+□</b>
	Narrow beam	1×LED 26W	2839 lm	4.8	<b>CZ1865/211S-LED0026WNB5B-17-K□-B2+□</b>
		2×LED 26W	5742 lm	7.4	<b>CZ1866/211S-LED2026WNB5B-17-K□-B2+□</b>
	Wide beam	1×LED 26W	3172 lm	6.5	<b>CZ1865/211P-LED0026WWB5B-17-K□-A2+□</b>
		2×LED 26W	6412 lm	9.0	<b>CZ1866/211P-LED2026WWB5B-17-K□-A2+□</b>
	Narrow beam	1×LED 26W	2839 lm	6.5	<b>CZ1865/211P-LED0026WNB5B-17-K□-A2+□</b>
		2×LED 26W	5742 lm	9.0	<b>CZ1866/211P-LED2026WNB5B-17-K□-A2+□</b>

**S**-Standard type  
**P**-Pole mounting type  
**3**-3000K **4**-4000K **5**-5000K **6**-6500K  
**F**: Explosion-proof fuse module (Optional)  
 Code of cable gland  
 Order No. of mounting accessories (Optional), see page A/21

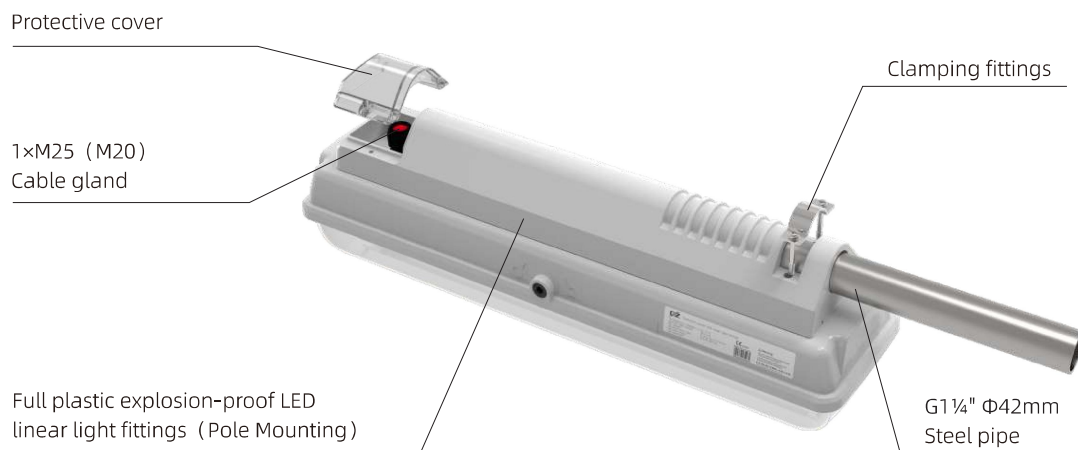
Mounting Type  
 Colour temperature

**Code of cable entry for standard type**

Code	Specifications	Cable diameter
<b>B1</b>	One moulded plastic M20×1.5 cable gland, two moulded plastic M20×1.5 stopping plugs	Φ6-13mm
<b>C1</b>	One brass CZ0221/M20×1.5 metal cable gland, two moulded plastic M20×1.5 stopping plugs	Φ6-13mm
<b>D1</b>	Two moulded plastic M20×1.5 cable glands, one moulded plastic M20×1.5 stopping plug	Φ6-13mm
<b>E1</b>	Two brass CZ0221/M20×1.5 metal cable glands, one moulded plastic M20×1.5 stopping plug	Φ6-13mm
<b>H1</b>	One brass CZ0226/M20×1.5(G01) increased safety metal cable gland, two moulded plastic M20×1.5 stopping plugs	Φ8-13.5mm
<b>I1</b>	Two brass CZ0226/M20×1.5(G01) increased safety metal cable glands , one moulded plastic M20×1.5 stopping plug	Φ8-13.5mm
<b>B2</b>	One moulded plastic M25×1.5 cable gland, two moulded plastic M25×1.5 stopping plugs	Φ9-17mm
<b>C2</b>	One brass CZ0221/M25×1.5 metal cable gland, two moulded plastic M25×1.5 stopping plugs	Φ9-17mm
<b>D2</b>	Two moulded plastic M25×1.5 cable glands, one moulded plastic M25×1.5 stopping plug	Φ9-17mm
<b>E2</b>	Two brass CZ0221/M25×1.5 metal cable glands, one moulded plastic M25×1.5 stopping plug	Φ9-17mm
<b>H2</b>	One brass CZ0226/M25×1.5(G02) increased safety metal cable gland , two moulded plastic M25×1.5 stopping plugs	Φ11.5-16mm
<b>I2</b>	Two brass CZ0226/M25×1.5(G02) increased safety metal cable glands, one moulded plastic M25×1.5 stopping plug	Φ11.5-16mm

**A**
**Code of cable entry for pole mounting type**

Code	Specifications	Cable diameter
<b>A1</b>	One moulded plastic M20×1.5 cable gland	Φ6-13mm
<b>A2</b>	One moulded plastic M25×1.5 cable gland	Φ9-17mm

**Diagram of pole mounting**




# CZ1865, CZ1866 Full plastic explosion-proof emergency LED linear light fittings

## Main technical data

Certification	Ex mark	Meet the standard
China	Ex db eb mb q IIC T5/T4 Gb Ex tb IIIC T80°C Db	GB/T3836
IECEX	Ex db eb mb q IIC T5/T4 Gb Ex tb IIIC T80°C Db	IEC60079
ATEX	⊕ II 2 G D Ex db eb mb q IIC T5/T4 Gb Ex tb IIIC T80°C Db	EN60079

**A**

Intended use: Can be used in zone 1 and zone 2  
 Can be used in zone 21 and zone 22  
 Ambient temperature use: -40°C ≤ Ta ≤ +40°C (T5)  
 -40°C ≤ Ta ≤ +55°C (T4)  
 Degree of protection: IP66 (IP64 with breather CZ0527)  
 Rated voltage: AC100 ~ 250V 50/60Hz, DC 100~250V  
 Light source: LED  
 Colour temperature: Standard 5000K, (Optional 3000K, 4000K, 6500K)  
 Power factor: λ > 0.9  
 Recharging time: 24 h  
 Battery charging ambient temperature: 0°C ~ +55°C  
 Battery discharge ambient temperature: -20°C ~ +70°C  
 Emergency starting time: 0.1 s  
 Emergency illuminating time: > 180 min  
 Applicable installation height: Wide beam: ≤ 3M, Narrow beam: 3 ~ 6M  
 Terminals: L1, L2, L, N, PE, each terminal 2×1.5-10mm<sup>2</sup>  
 Electrical configuration: Standard explosion-proof limit switch  
 (Optional explosion-proof fuse)  
 Cable entry: Standard M25 (Optional M20)  
 Standard type:  
 Moulded plastic 1-M25×1.5 cable gland, outside diameter of cable: Φ9-17mm  
 Moulded plastic 2-M25×1.5 stopping plugs  
 Pole mounting:  
 Moulded plastic 1-M25×1.5 cable gland, outside diameter of cable: Φ9-17mm

## Order specifications

Illustration	Light distribution	Power of light source	Luminous flux		Weight (kg)	Order No.
			Normal illumination	Emergency illumination		
	Wide beam	1×LED 26W	3127lm	758lm	7.5	<b>CZ1865/221S-LED0026WNB5B-17-M-K□-B2+□</b>
		2×LED 26W	6389lm	1221lm	10.2	<b>CZ1866/221S-LED2026WNB5B-17-M-K□-B2+□</b>
	Narrow beam	1×LED 26W	2867lm	702lm	7.5	<b>CZ1865/221S-LED0026WNB5B-17-M-K□-B2+□</b>
		2×LED 26W	5769lm	1134lm	10.2	<b>CZ1866/221S-LED2026WNB5B-17-M-K□-B2+□</b>
	Wide beam	1×LED 26W	3127lm	758lm	9.2	<b>CZ1865/221P-LED0026WNB5B-17-M-K□-A2+□</b>
		2×LED 26W	6389lm	1221lm	11.9	<b>CZ1866/221P-LED2026WNB5B-17-M-K□-A2+□</b>
	Narrow beam	1×LED 26W	2867lm	702lm	9.2	<b>CZ1865/221P-LED0026WNB5B-17-M-K□-A2+□</b>
		2×LED 26W	5769lm	1134lm	11.9	<b>CZ1866/221P-LED2026WNB5B-17-M-K□-A2+□</b>

**S**-Standard type  
**P**-Pole mounting type  
**3**-3000K **4**-4000K  
**5**-5000K **6**-6500K  
**M**-Maintained  
**F**: Explosion-proof fuse module (Optional)  
 Code of cable gland  
 Order No.of mounting accessories (Optional) , see page A/21

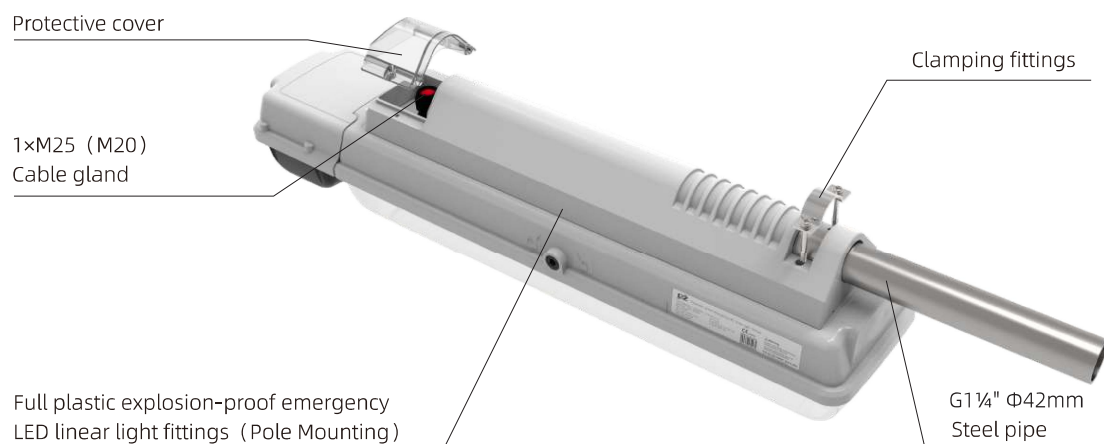
Mounting Type  
 Colour temperature  
 Type of emergency

**Code of cable entry for standard type**

Code	Specifications	Cable diameter
<b>B1</b>	One moulded plastic M20×1.5 cable gland, two moulded plastic M20×1.5 stopping plugs	Φ6-13mm
<b>C1</b>	One brass CZ0221/M20×1.5 metal cable gland, two moulded plastic M20×1.5 stopping plugs	Φ6-13mm
<b>D1</b>	Two moulded plastic M20×1.5 cable glands, one moulded plastic M20×1.5 stopping plug	Φ6-13mm
<b>E1</b>	Two brass CZ0221/M20×1.5 metal cable glands, one moulded plastic M20×1.5 stopping plug	Φ6-13mm
<b>H1</b>	One brass CZ0226/M20×1.5(G01) increased safety metal cable gland, two moulded plastic M20×1.5 stopping plugs	Φ8-13.5mm
<b>I1</b>	Two brass CZ0226/M20×1.5(G01) increased safety metal cable glands , one moulded plastic M20×1.5 stopping plug	Φ8-13.5mm
<b>B2</b>	One moulded plastic M25×1.5 cable gland, two moulded plastic M25×1.5 stopping plugs	Φ9-17mm
<b>C2</b>	One brass CZ0221/M25×1.5 metal cable gland, two moulded plastic M25×1.5 stopping plugs	Φ9-17mm
<b>D2</b>	Two moulded plastic M25×1.5 cable glands, one moulded plastic M25×1.5 stopping plug	Φ9-17mm
<b>E2</b>	Two brass CZ0221/M25×1.5 metal cable glands, one moulded plastic M25×1.5 stopping plug	Φ9-17mm
<b>H2</b>	One brass CZ0226/M25×1.5(G02) increased safety metal cable gland , two moulded plastic M25×1.5 stopping plugs	Φ11.5-16mm
<b>I2</b>	Two brass CZ0226/M25×1.5(G02) increased safety metal cable glands, one moulded plastic M25×1.5 stopping plug	Φ11.5-16mm

**A**
**Code of cable entry for pole mounting type**

Code	Specifications	Cable diameter
<b>A1</b>	One moulded plastic M20×1.5 cable gland	Φ6-13mm
<b>A2</b>	One moulded plastic M25×1.5 cable gland	Φ9-17mm

**Diagram of pole mounting**




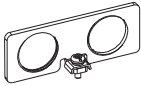
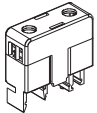

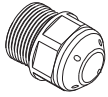
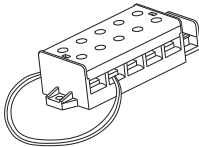

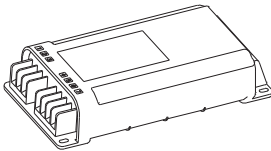
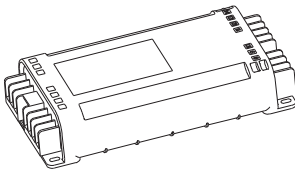


**Accessories of mounting**

Illustration	Descriptions	Unit	Order No.	
Accessories for pendant type 		Set	<b>D622</b>	
Accessories for chain type 		Set	<b>D623</b>	
Accessories for clamp type M8 bolt mounting 		G1¼"Φ42mm Stainless steel	Set	<b>J200/304</b>
		G1½"Φ48mm Stainless steel	Set	<b>J300/304</b>
		G2"Φ60mm Stainless steel	Set	<b>J400/304</b>
Support for ceiling type 		Stainless steel	Set	<b>D621/304</b>
Adjustable mounting bracket 		Set	<b>D8738</b>	
Lamp pole of wall type		Used for CZ1865 LED linear light fittings	Set	<b>D8709/1A</b>
Lamp pole of fence type		Used for CZ1866 LED linear light fittings	Set	<b>D8709/2A</b>
Lamp pole of flange type		Used for CZ1865 LED linear light fittings	Set	<b>D8710/1A</b>
		Used for CZ1866 LED linear light fittings	Set	<b>D8710/2A</b>
Lamp pole of flange type		Used for CZ1865 LED linear light fittings	Set	<b>D8711/1A</b>
		Used for CZ1866 LED linear light fittings	Set	<b>D8711/2A</b>
Wall mounting bracket of pole type 		Use for pole mounting linear light fittings	Set	<b>D8739</b>
Lamp pole of fence type		Use for pole mounting linear light fittings	Set	<b>D8740</b>
Lamp pole of flange type		Set	<b>D8741</b>	
Lamp pole of fence type		Set	<b>D8705</b>	
Lamp pole of flange type		Set	<b>D8706</b>	
Mounting bracket 	Used for CZ1865 LED linear light fittings	Set	<b>D8742/1</b>	
	Used for CZ1866 LED linear light fittings	Set	<b>D8742/2</b>	

**A**

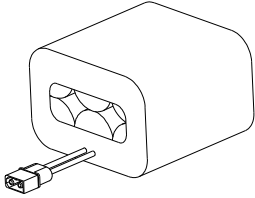
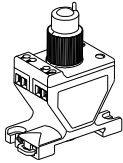
**Spare parts**

Illustration	Descriptions	Unit	Order No.
 Earthing nut	Metal earthing nut 2-M20×1.5	Set	<b>D8714/2-M20</b>
	Metal earthing nut 2-M25×1.5	Set	<b>D8714/2-M25</b>
 Explosion-proof fuse module	Type of protection Ⓜ II 2G Ex e mb II C Gb	0.8A	Piece <b>CZ0804 / T0.8A</b>
		1.25A	Piece <b>CZ0804 / T1.25A</b>
		6.3A	Piece <b>CZ0804 / T6.3A</b>
 Explosion-proof limit switch module	Type of protection Ⓜ II 2G Ex db eb IIC Gb  Contact: 2NC	Piece	<b>CZ0207-1</b>
 Increased safety breathing, drainage valve	Type of protection Ⓜ II 2GD Ex eb IIC Gb Ex tb IIIC Db	Piece	<b>CZ0527 2515 e001</b>
 Terminal board with cable	3P terminal, Conductor 3×2.5mm <sup>2</sup> , max16A, L1+N+PE	Set	<b>305/1A</b>
	4P terminal, Conductor 4×2.5mm <sup>2</sup> , max16A, L1+L2+N+PE	Set	<b>305/3A</b>
 Explosion-proof LED light source module	Ⓜ II 2G Ex eb mb IIC Gb Power: Max30W / 4240 lm / 5000K Wide beam (Luminous angle 110°)	Piece	<b>CZ1618/11B-LED30WWB5B</b>
	Ⓜ II 2G Ex eb mb IIC Gb Power: Max30W / 4240 lm / 5000K Narrow beam (Luminous angle 55°)	Piece	<b>CZ1618/11B-LED30WNB5B</b>
 Explosion-proof power supply module with lighting dimming (0-10V)	Type of protection Ⓜ II 2G Ex eb q IIC Gb  Power: Max30W, Used for 1×LED26W linear light fittings AC/DC 100~250V 50/60Hz	Piece	<b>CZ1618/57B-LED30W</b>
	Type of protection Ⓜ II 2G Ex eb q IIC Gb  Power: Max60W, Used for 2×LED26W linear light fittings AC/DC 100~250V 50/60Hz	Piece	<b>CZ1618/57B-LED60W</b>
 Explosion-proof emergency lighting power module	Type of protection Ⓜ II 2G Ex eb q IIC Gb  Normal power: Max 30W, Emergency power: 7W, Used for 1×26W emergency LED linear light fittings AC/DC 100~250V 50/60Hz	Piece	<b>CZ1618/58B-LED30W-07</b>
	Type of protection Ⓜ II 2G Ex eb q IIC Gb  Normal power: Max 60W, Emergency power: 10W, Used for 2×26W emergency LED linear light fittings AC/DC 100~250V 50/60Hz	Piece	<b>CZ1618/58B-LED60W-10</b>

**A**



Spare parts

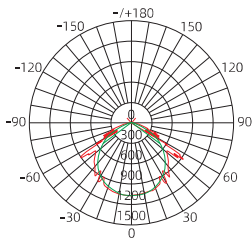
Illustration	Descriptions	Unit	Order No.
 <p>Explosion-proof battery module</p>	Specifications: 4.5Ah/7.2V	Set	<b>CZ0819/4.5Ah 7.2V-B</b>
 <p>Explosion-proof signal lamp with push button module</p>	Type of protection $\text{Ex}$ II 2G Ex db eb IIC Gb Signal lamp: DC 2.0V (red, yellow) , DC3.0V (green) Push button switch: DC 30V 5A	Piece	<b>CZ0212-6405L</b>

Luminous intensity distribution curve

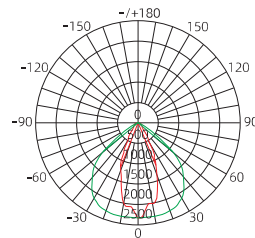
— C0/180 — C90/270

luminous intensity unit: cd

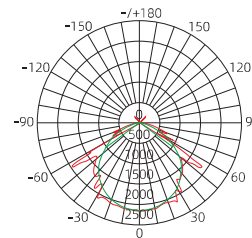
CZ1865、CZ1866 Full plastic explosion-proof LED linear light fittings



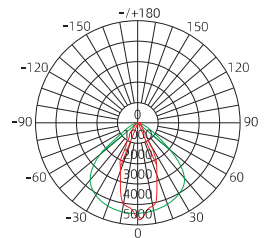
The average beam angle (50%) : 113.7 Degree  
CZ1865/211□-LED0026WWB5□-17



The average beam angle (50%) : 71.9 Degree  
CZ1865/211□-LED0026WNB5□-17

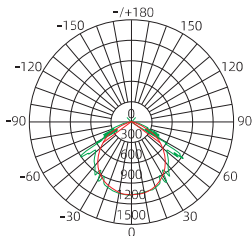


The average beam angle (50%) : 113.9 Degree  
CZ1866/211□-LED2026WWB5□-17

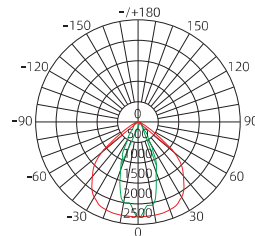


The average beam angle (50%) : 72.8 Degree  
CZ1866/211□-LED2026WNB5□-17

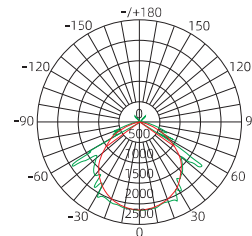
CZ1865、CZ1866 Full plastic explosion-proof emergency LED linear light fittings



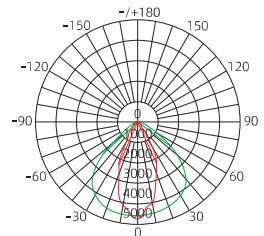
The average beam angle (50%) : 113.8 Degree  
CZ1865/211□-LED0026WWB5□-17-M



The average beam angle (50%) : 71.9 Degree  
CZ1865/211□-LED0026WNB5□-17-M



The average beam angle (50%) : 114.0 Degree  
CZ1866/211□-LED2026WWB5□-17-M



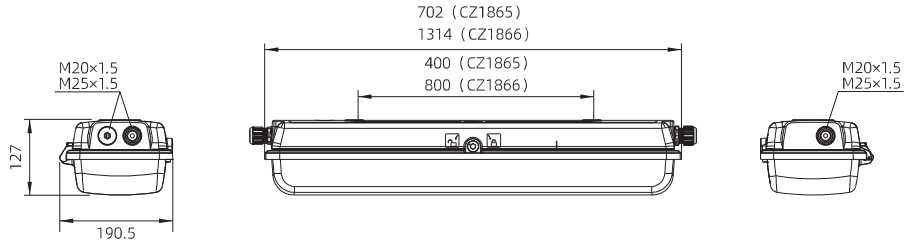
The average beam angle (50%) : 73.6 Degree  
CZ1866/211□-LED2026WNB5□-17-M



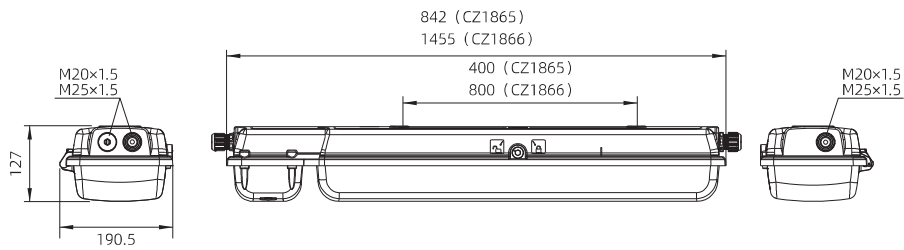
# CZ1865, CZ1866 Full plastic explosion-proof (emergency) LED linear light fittings

## Mounting types and outline dimensions

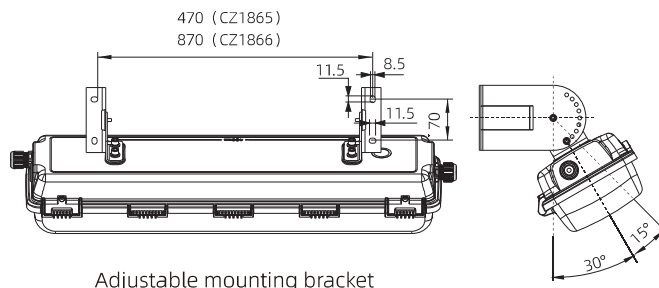
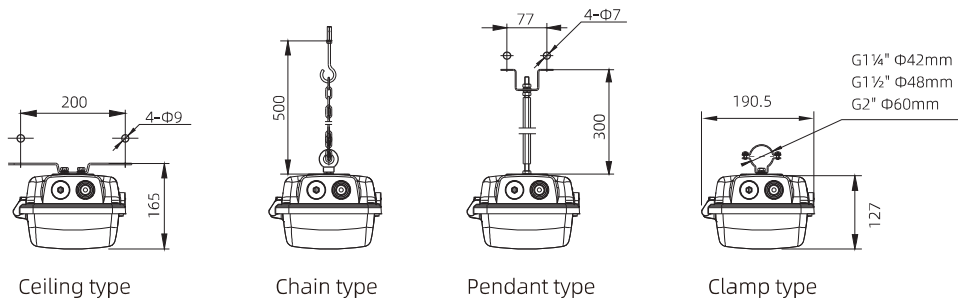
Unit: mm



Full plastic explosion-proof LED linear light fittings



Full plastic explosion-proof emergency LED linear light fittings



Adjustable mounting bracket

A

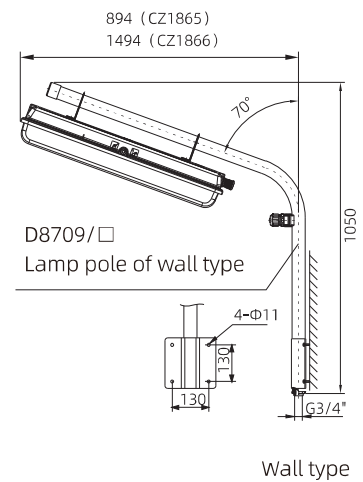
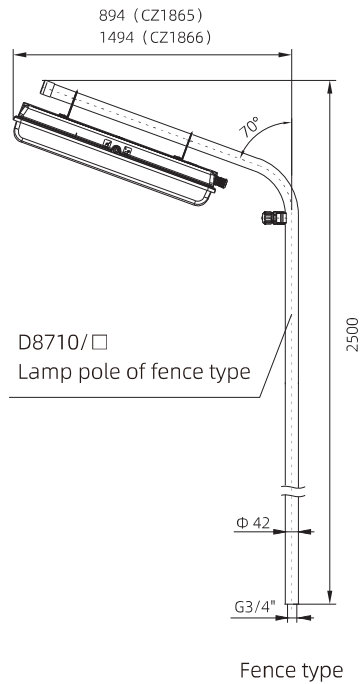
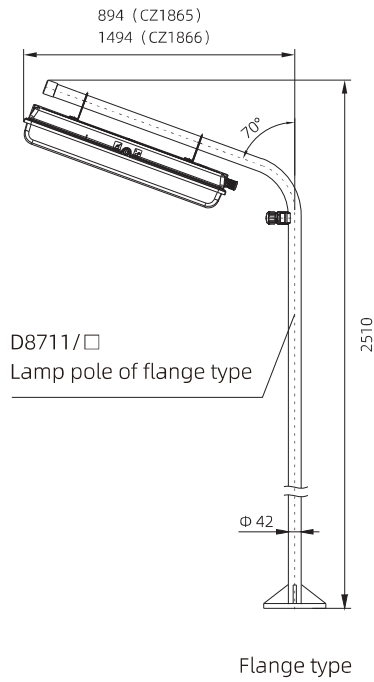


### Mounting types and outline dimensions

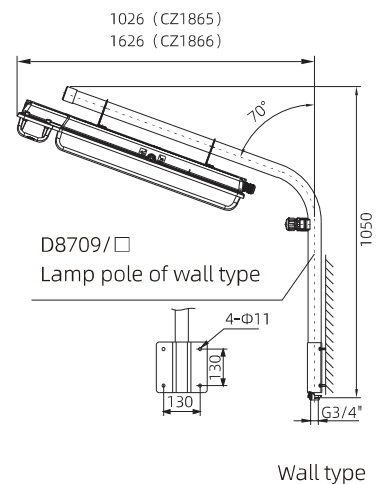
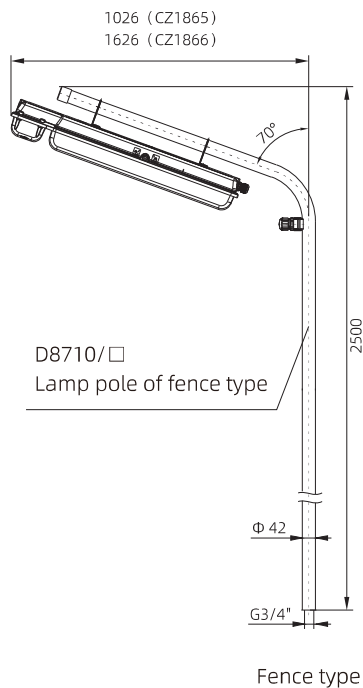
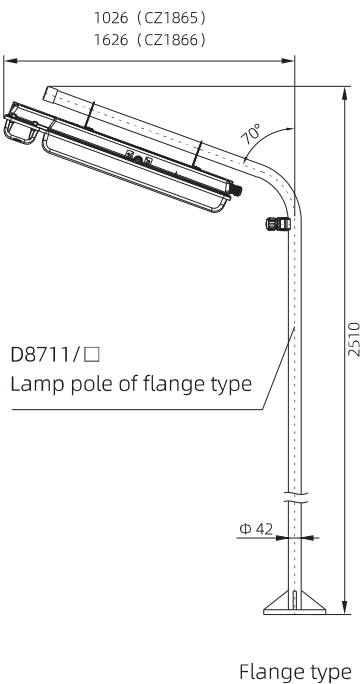
Unit: mm

Full plastic explosion-proof LED linear light fittings

A



Full plastic explosion-proof emergency LED linear light fittings



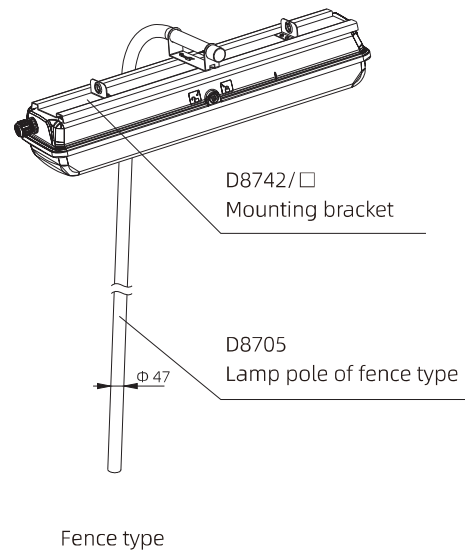
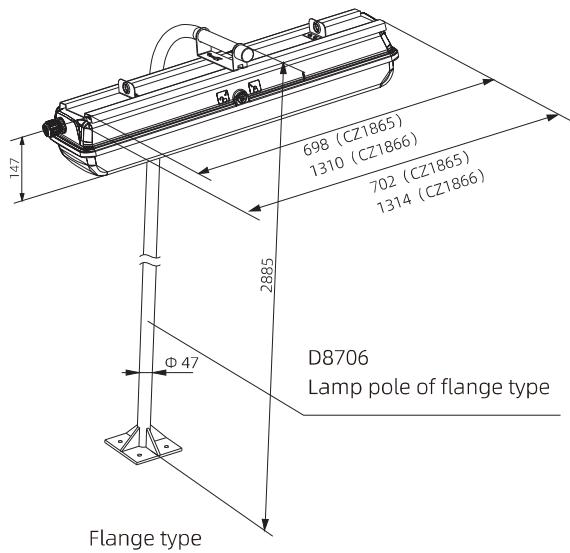


### Mounting types and outline dimensions

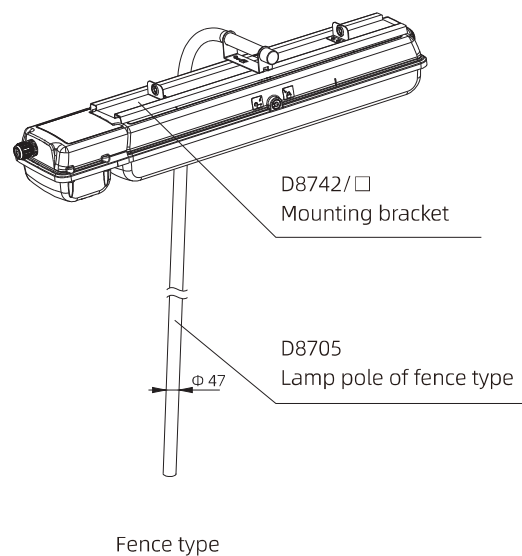
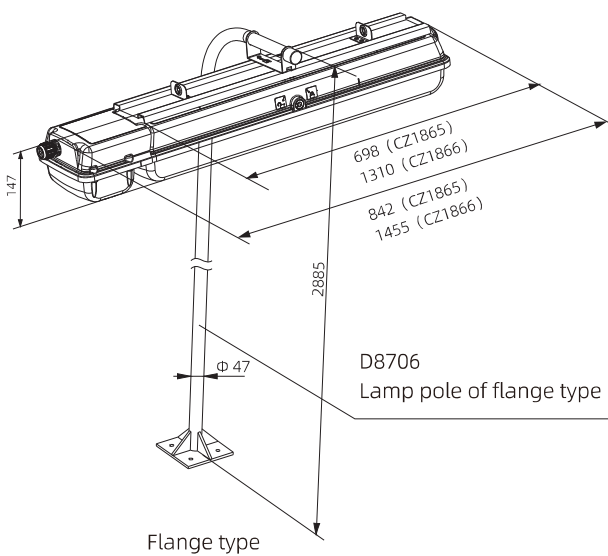
Unit: mm

Full plastic explosion-proof LED linear light fittings

A



Full plastic explosion-proof emergency LED linear light fittings

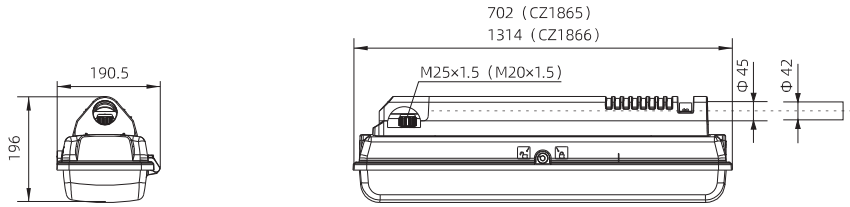




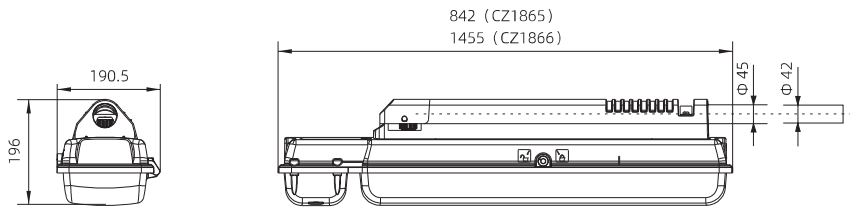
### Mounting types and outline dimensions

Unit: mm

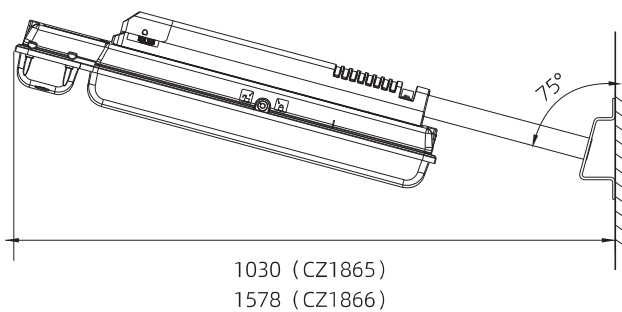
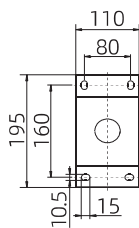
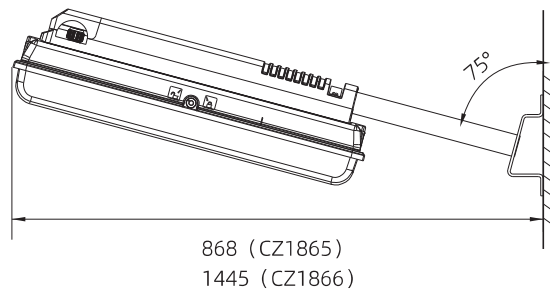
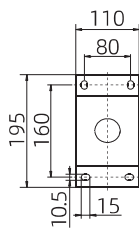
A



CZ186□/2□1P  
Full plastic explosion-proof LED linear light fittings ( Pole Mounting )



CZ186□/2□1P  
Full plastic explosion-proof emergency LED linear light fittings ( Pole Mounting )



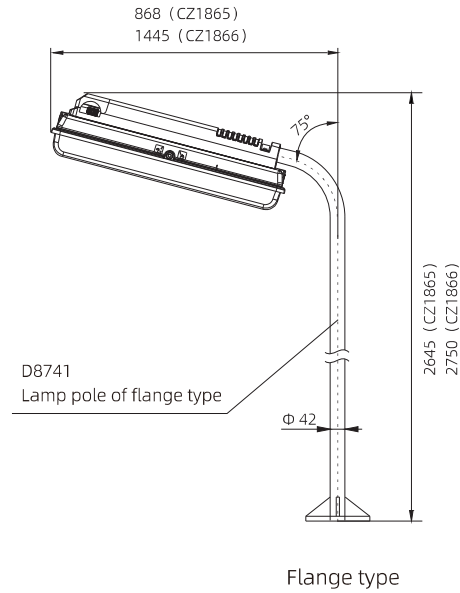
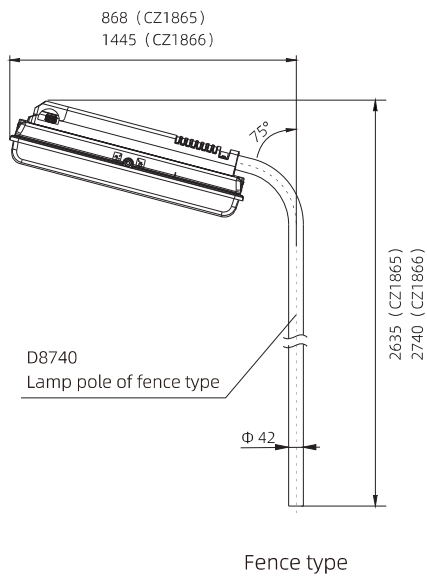
D8739  
Wall mounting bracket of pole type



### Mounting types and outline dimensions

Unit: mm

Full plastic explosion-proof LED linear light fittings



A

Full plastic explosion-proof emergency LED linear light fittings

